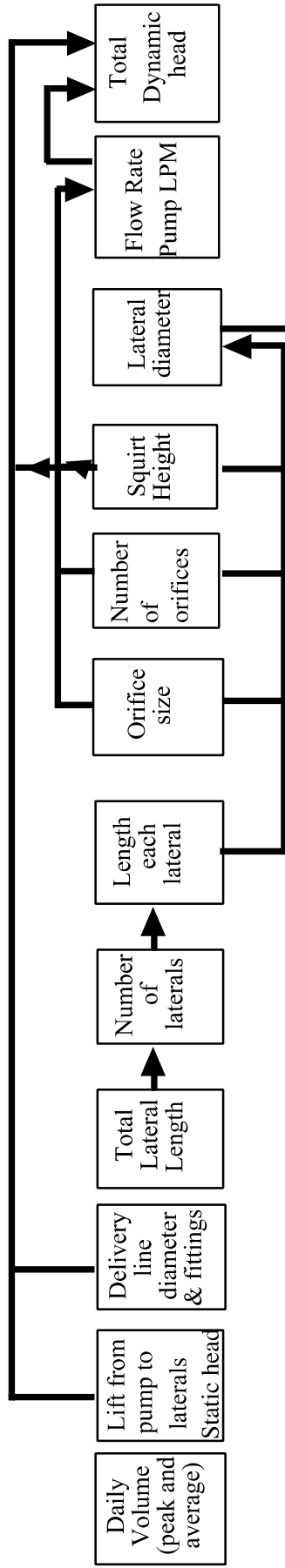
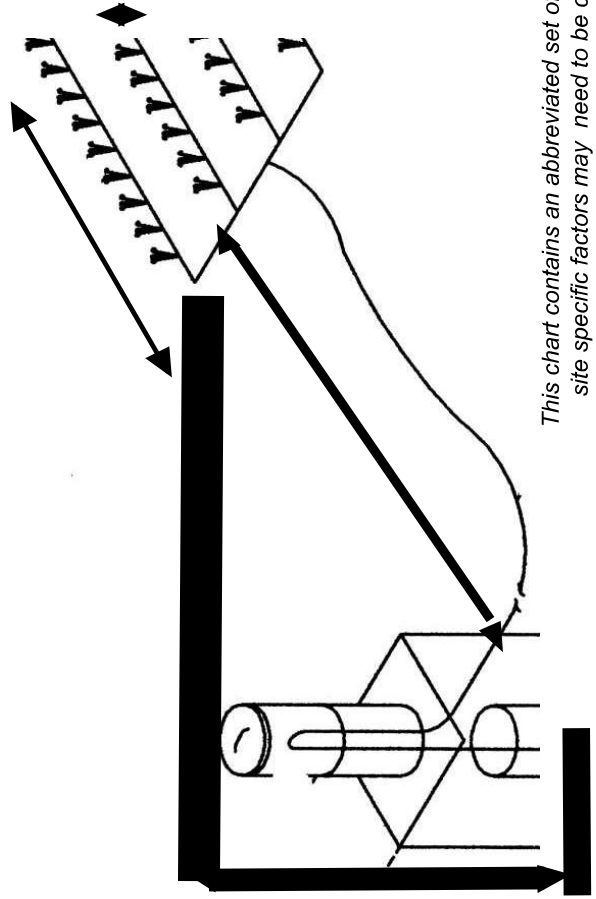


Pressure Distribution HO109-01



System layout



Do the Preferred Dose Volume and Distribution System Match?

Daily Volume
(use average)

Number of Doses per day

Volume per dose

Plus volume to fill
delivery line and laterals

Total volume

If Drain back orifice is
installed- add volume in
delivery line and manifold
and in laterals

This chart contains an abbreviated set of steps and site specific factors may need to be considered.